
Comfort-Cire®

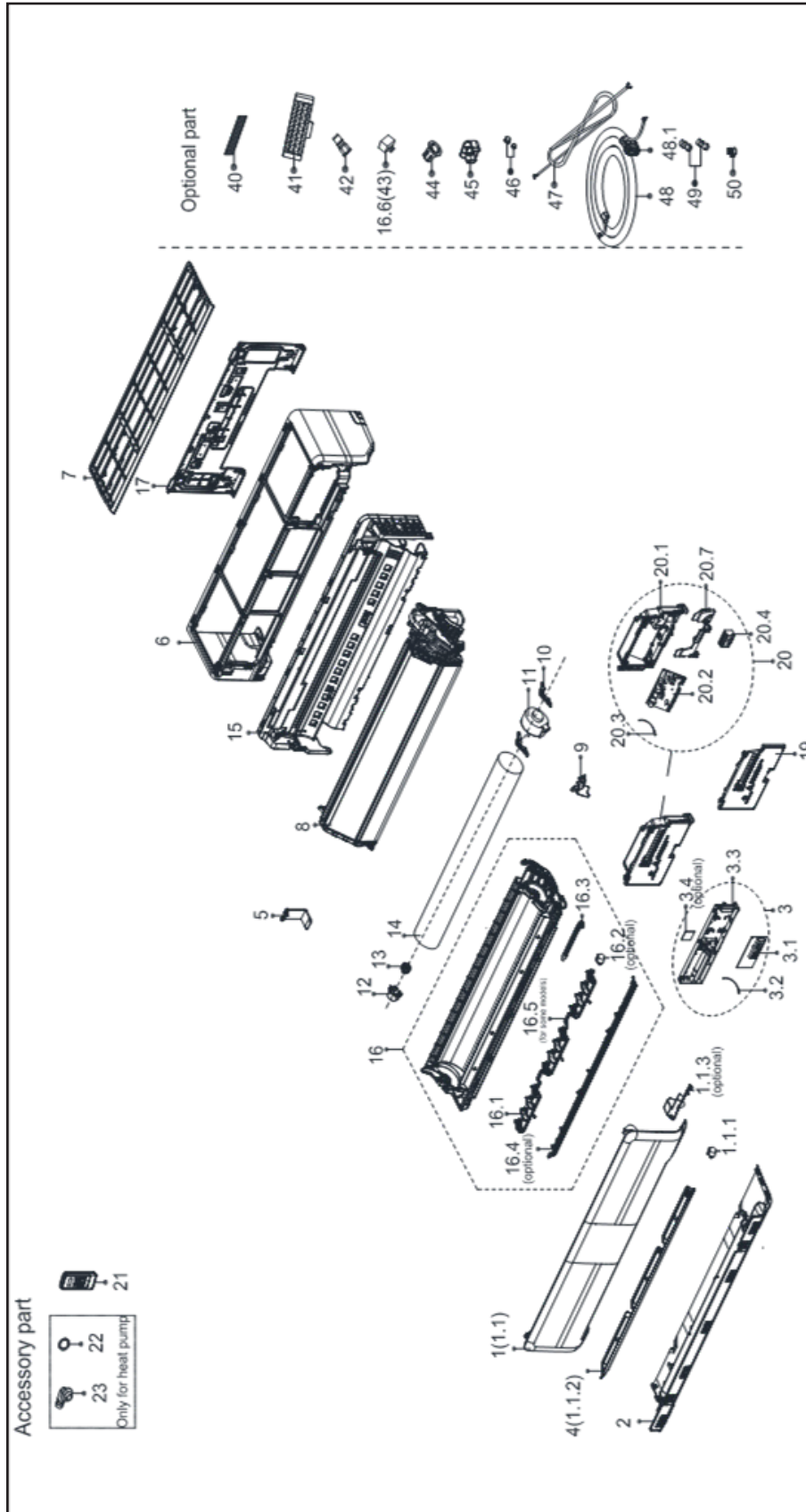
Century®

PARTS LIST

**Inverter Single Zone
Ductless Mini-Split**

VMH18SV-1

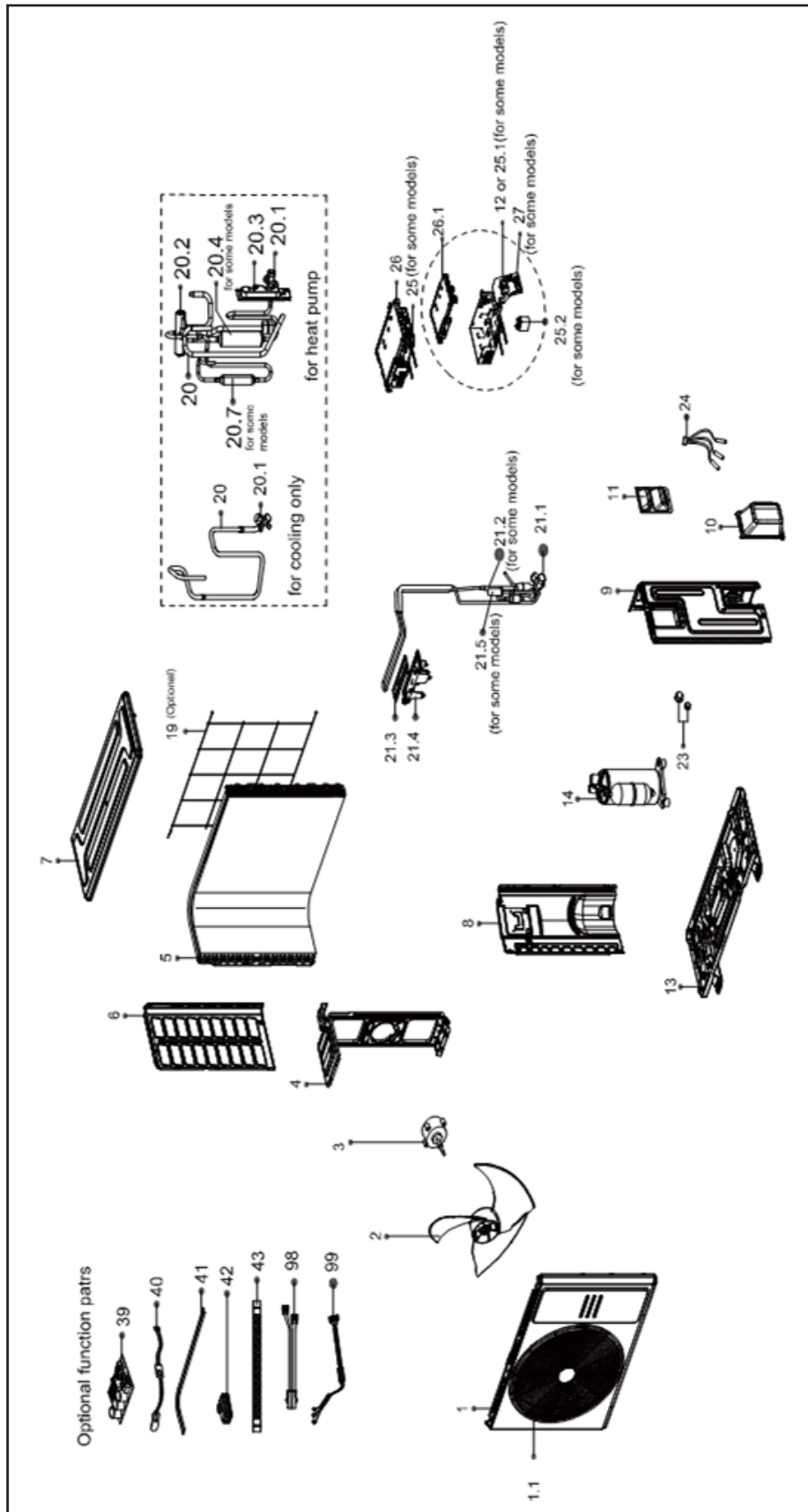
EXPLODED VIEW - B-VMH18SV-1



REPLACEMENT PARTS - B-VMH18SV-1

Location	Part Name	Quantity	Part No.
1	Panel assembly	1	12122000027561
2	Horizontal louver	1	12122000027037
3	Display box subassembly	1	17222000A63824
3.1	Display board subassembly	1	17122000050213
3.2	Room Temperature Sensor	1	11201007003103
3.3	Display box	1	12122000026921
5	Chassis support I	1	12122000026621
6	Panel frame assembly	1	12122000A85052
7	Filter filter subassembly	1	12122000027040
8	Evaporator assembly	1	15822000A18563
9	pipe clamp board	1	12122000027026
10	Fixing board of fan motor	2	12122000011994
11	Brushless DC Motor	1	11002015011867
12	Bearing holder	1	12122000000350
13	Bearing components	1	12622000000131
14	Cross flow fan	1	12100102000131
15	Chassis assembly(above)	1	12122000027029
16	Chassis assembly(below)	1	12122000027682
16.1	Horizontal louver	6	12122000026617
16.1	Horizontal louver	6	12122000026616
16.2	Stepper motor	1	11002010001486
16.3	Drain hose	1	12100501000032
16.5	Connecting rod of louver	1	12122000027024
17	Installation plate subassembly	1	12222000A06971
19	Cover of electronic control box subassembly	1	12122000026601
20	Electronic control box subassembly (Mid-and low-end)	1	17222000033440
20.1	Electronic control box subassembly	1	12122000026606
20.2	Main control board subassembly	1	17122000051062
20.3	Pipe Temperature Sensor	1	11201007003445
20.4	Wire joint	1	17400401000577
20.7	Electrical Control Box holder	1	12122000026605
21	Remote controller	1	17317000A63584
22	seal ring	1	12600701000039
23	Drain hose	1	12100509000061
40	Air freshening filter	2	12100206000056
42	Check valve	1	15500209000001
45	Bracket of remote Controller	1	12122000029201
46	Copper nut	1	15500406000016
46	Copper nut	1	15500406000012
46	Copper nut	1	15500406000016

EXPLODED VIEW - A-VMH18SV-1



REPLACEMENT PARTS - A-VMH18SV-1

Location	Part Name	Quantity	Part No.
1	Front panel assembly	1	12222000A06282
1.1	Air outlet grille	1	12222000A06092
2	Axial flow fan	1	12100105000841
3	Brushless DC Motor	1	11002015000366
4	Supporter of fan motor	1	12222000012371
5	Condenser assembly	1	15822000009796
6	Left supporter	1	12222000013472
7	Top cover assembly	1	12222000013465
8	Partition board assembly	1	12222000013245
9	Right clapboard assembly	1	12222000013466
10	Water collector	1	12122000007150
11	Big handle assembly	1	12222000010966
12	Terminal	1	17400401000068
13	Chassis assembly	1	12222000014054
14	DC Inverter rotary compressor	1	11103020006879
19	Rear net	1	12222000013085
20	4-way valve assembly	1	15422000018634
20.1	Gas valve	1	15500204000058
20.2	4-way Valve	1	15500216000026
20.3	Valve plate	1	12222200005738
20.4	Muffler subassembly	1	15122000027215
20.7	Muffler subassembly	1	15122000025163
21	Liquid valve Assembly	1	15422000018633
21.1	Liquid valve	1	15500208000028
21.2	Throttle valve element	1	15500210001848
21.3	Radiator	1	11203803001176
21.4	U-Typed Support with Copper Pipe	1	12122000011478
21.5	Electronic expansion valve subassembly	1	15500213000047
23	Copper nut	1	15500406000016
23	Copper nut	1	15500406000012
24	Combination sensor	1	11201011000188
25	Terminal board subassembly	1	12222000014405
26	Electronic control box subassembly	1	17222000038687
26.1	Electronic installing box	1	12122000008999
40	Crankcase electric heater	1	17402001000603
41	tube type electric heater	1	17402002000544
43	Drain pipe	1	12100509000059
99	Compressor wire subassembly	1	17401203012697

Due to ongoing product improvements, specifications and dimensions are subject to change and correction without notice or incurring obligations. Determining the application and suitability for use of any product is the responsibility of the installer. Additionally, the installer is responsible for verifying dimensional data on the actual product prior to beginning any installation preparations.

Incentive and rebate programs have precise requirements as to product performance and certification. All products meet applicable regulations in effect on date of manufacture; however, certifications are not necessarily granted for the life of a product. Therefore, it is the responsibility of the applicant to determine whether a specific model qualifies for these incentive/rebate programs.

Comfort-Aire® **Century**®

1900 Wellworth Ave., Jackson, MI 49203 • Ph. 517-787-2100 • www.marsdelivers.com

